

HM-2R185

Fully Automatic Two Ram Baler



**Harmony's HM-2R185
Two Ram Horizontal Baler
is the Ideal Solution For:**

- Distribution Centers
- Manufacturing Plants
- Recycling Centers
- Printers
- Paper Converters

Industry-Leading Warranty

Harmony provides an industry leading warranty of 1 year parts and labor on our Two Ram and Auto Tie Horizontal Balers.

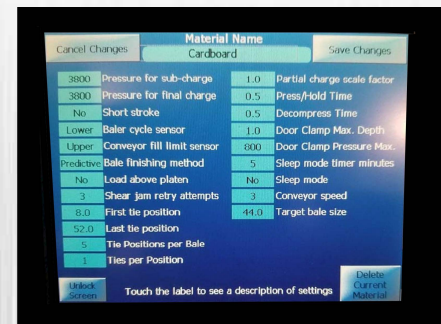


**Compare these features of the
HM-2R185 with the competition:**

- Extra Large Feed Hopper
- Adaptable To Gravity, Pneumatic, Or Belt Conveyor
- Laser Distancing - No Limit Switches Required
- Built-in Shear Requiring No Pre-Conditioning Of Materials
- Wire Tie Systems Save Wire And Increase Bale Density
- Allows You To Switch Materials Without Stopping Operation Or Any Contamination Of Bales
- The Interface Saves The Setting And Configuration For Each Material Being Baled And Automatically Controls The Speed Of The Conveyor As Needed.
- Hydraulic System Includes Low Oil & Hot Oil Shutdown

**Harmony's HM-2R185
Horizontal Baler**

- Is built to withstand the harshest environments.
- Improves your business appearance and workplace safety.
- Increases profitability and efficiency.
- Largest Hopper, Highest Ram Face Pressure, Most Durable Interlocking Construction, and Most Advanced High Pressure Hydraulics In Its Class.



Color Touch Screen Display



HM-2R185 Two Ram Horizontal Baler

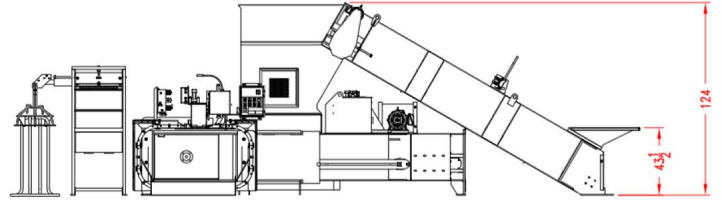
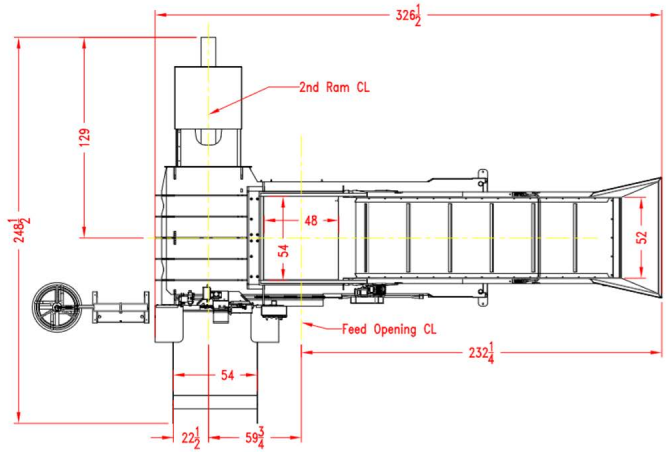
Standard HM-2R185 Features

- Interlocking Construction With Chassis Floor For Durability
- 150 Gallon Hydraulic Oil Reservoir Shipped Full - No Oil To Buy
- Oil Filter Has Sensor To Notify When It Needs Replacement
- Abrasion Resistant Wear Liners
- HMI Allows User To Select Commodity Being Baled
- Control Panel Is UL® Listed
- Meets Or Exceeds ANSI and OSHA Safety Standards
- Hydraulic System Includes Low Oil & Hot Oil Shutdown

Bale Weights (Tons Per Hour):

- OCC: 1,500 lbs short stroke
1,600 lbs long stroke (4.4)
- Magazines: 2,000 lbs (9)
- Newspaper: 1,500 lbs (8)
- Office Paper: 1,600 lbs (8)
- Aluminum Cans: 700 lbs (2.9)
- Tin Cans: 1,250 lbs (5.5)
- HDPE: 1,125 lbs (3.4)
- PET: 1,000 lbs (2.5)

*Bale weights are approximate and may differ with moisture content, material density, and caps on PET bottles.



SPECIFICATIONS

Bale Size	30" x 60" x 38-51" (variable length) (762mm x 1524mm x 965-1295 mm)
Bale Weight (Cardboard)	1500 lbs-1600 lbs (680kg - 726kg)
Ram Force	187,468 lbs (85,034 kg)
System Pressure	3,800 PSI ; 4,200 PSI Maximum
Cycle Time	Short: 24 seconds; Full: 28 seconds
Electrical Power	208/230/575 Volt, 3 Phase, 60 Cycle, TEFC
Motor	20HP (30 HP Optional)
Cylinder	Dual 5.5" Bore
Pump	48 GPM Piston Pump
Bale Eject	Full Bale Eject
Bale Tying	Automatic Wire

DIMENSIONS

Overall Height	With Conveyor: 124" (3,150 mm) Without Conveyor: 77" (1,956 mm)
Overall Length	214" (5,436 mm)
Overall Width	76.25" (1,930 mm)
Charge Chamber Opening	54" x 48" (1,372 mm x 1,219 mm)
Shipping Height	77" (1,956 mm)
Shipping Weight	28,100 lbs (12,746 kg)
Installation and Operating Area	Varies depending on conveyor feed system employed

*Specifications subject to change without notice.