



Solutions for Waste & Recycling

HarmonyTM

ENTERPRISES, INC.

ExtractPack Max

(PERF-SSHB GEN2)

Horizontal Liquid Extraction Baler



The ExtractPack Max is the Ideal Solution For:

- **Bottlers**
- **Distributors**
- **Breweries**
- **Caterers**
- **Contract Packagers**
- **Anywhere Out-Of-Date Aluminum, PET, or TetraPak Product Needs To Be Destroyed.**

Compare These Features Of The ExtractPack Max With The Competition:

- Creates a standard mill-sized bale.
- Heavy duty stainless steel baling chamber, platen and charge opening
- 207 gallon stainless steel liquid reservoir assembly with custom 2PC straining screen system to catch debris.
- Custom designed stainless steel splash guards, safety covers, and power unit weather cover that have a peaked design to allow for liquid run off.
- Fast 45 second cycle time.
- Water proof magnetically coded safety switches to monitor all gates and doors.
- Allen Bradley PLC & HMI.
- Comes standard with CAT 3 electrical and hydraulic safety circuits.
- All electrical items are OEM off-the-shelf by design so not waiting around for special orders on replacement items if needed.
- Forty point I/O MICRO LOGIX1200 PLC from ALLEN BRADLEY with expandable I/O capability.
- Water proof ultrasonic sensors to monitor charge chamber filling and cycle start operations. No troublesome photo eyes to clean or service.
- Water proof proximity switches to monitor ram locations. No limits switch arms or rollers to keep readjusting.
- All electrical enclosures are stainless steel NEMA 4 rated and all fittings and conduit are non corrosive plastic water tight rated.

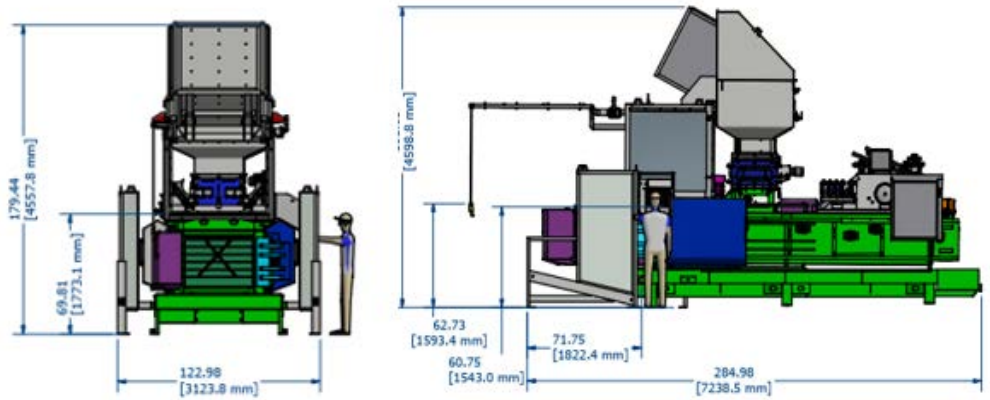
Contact Us at sales@harmony1.com for a free quote today!



www.harmony1.com

Solutions For Waste Handling and Recycling

ExtractPack Max Horizontal Liquid Extraction Baler



Bale Dimensions:

45" L X 42" W X 30" H (35 CUBIC FT)

Bale Weights:

Aluminum: 765 Pounds

(Approximately 25,000 – 12oz cans per bale)

PET: 875 Pounds

(Approximately 17,500 – 20oz bottles per bale)

Harmony's ExtractPack Max Large Horizontal Liquid Extraction Baler Meets Or Exceeds All ANSI and OSHA Safety Standards.



SPECIFICATIONS

Baler Weight	25,600 lbs (11,612 kg)
Tipper Weight	3,400 lbs (1,542 kg)
Platen Total Force	235,600 lbs (106,866 kg)
Platen Penetration	100%
Platen Cycle Time	45 seconds
System Pressure (main)	3,000 psi
System Pressure (secondary)	2,500 psi
Pump (main)	46 GPM Variable Piston
Pump (secondary)	3.7 GPM Fixed Displacement
Hydraulic Circuit (main)	Regeneration
Hydraulic Circuit (secondary)	Standard
Oil Reservoir Volume	110 gallons
Platen Cylinder	10" bore x 6" rod x 75" stroke (25x15x191cm)
Latch Cylinder	4.5" bore x 2.5" rod x 7" stroke (11.4x5x17.8cm)
Door Cylinder	4.5" bore x 2.5" rod x 10.5" stroke (11.4x5x25.4cm)
Tipper Cylinder	3" bore x 1.5" rod x 20" stroke (7.6x12.7x50.8cm)
Tri-Volt Electrical System	208/230, 460, 24VDC, 3HP, 25 HP
AutoLube Grease System	2 Liter
Oil Cooler	1/2 HP

DIMENSIONS

Bale Dimensions	45" L x 42" W x 30" H (114 cm x 106 cm x 76 cm)
Estimated Bale Weights	Aluminum: 765 lbs (347 kg) PET: 875 lbs (397kg)
Bale Volume	35 cu. ft. (.99 cu. m)
Baler Dimensions	224" L X 92" W X 177" H (569 cm x 234 cm x 450 cm)
Baler Operating Area	270" L X 128" W X 177" H (686cm x 325cm x 450cm)
Tipper Dimensions	117" L X 123" W X 144" H (297 cm x 312 cm x 366 cm)
Tipper Operating Area	203" L X 142" W X 177" H (516cm x 361cm x 450cm)



Harmony Enterprises, Inc. 704 Main Avenue North Harmony, MN 55939 USA

1.507.886.6666 international | 1.507.886.6706 fax

Email us at info@harmony1.com or visit us online at www.harmony1.com

©2019 Harmony Enterprises, Inc. All rights reserved.

*Specifications subject to change without notice.