

**COMPACTOR SPECIFICATIONS**

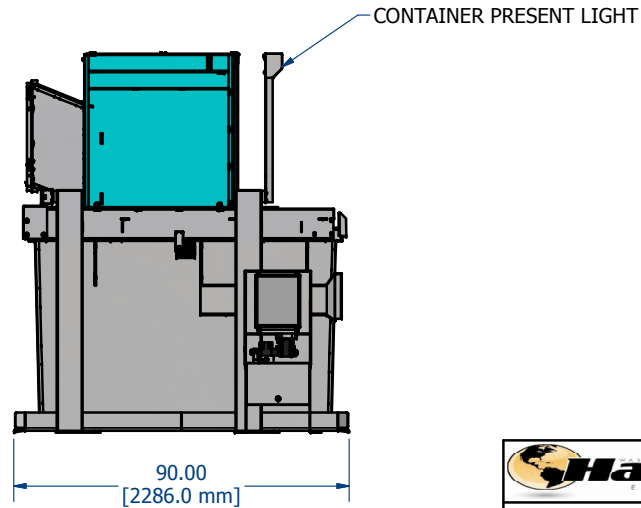
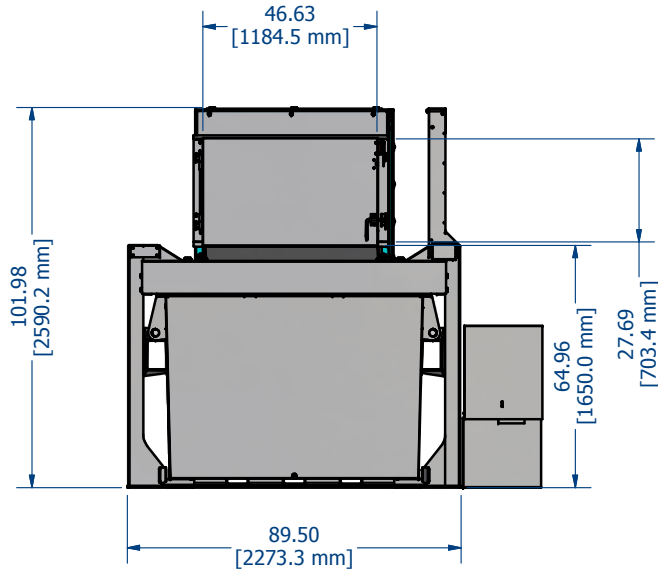
1. 10.75" RAM PENETRATION
2. (2)3" X 23.00" STROKE CYLINDERS
3. 28,274# RAM FORCE @2000 PSI
4. 5.5 GPM HI/LOW PUMP


**STANDARD FEATURES**

1. PLC CONTROLLED
2. OIL LEVEL SIGHT GAUGE
3. OIL PRESSURE GAUGE
4. 15 FOOT HYDRAULIC HOSES
5. 15 FOOT WHIP WITH REMOTE

**ELECTRICAL SPECIFICATIONS**

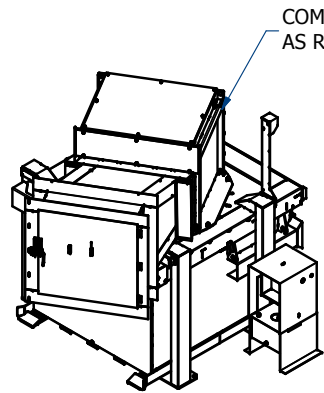
1. VOLTAGE: 208 VAC 3PH
2. MOTOR: 2 HP
3. MOTOR FLA: 7.5 AMPS
4. OPERATION @100%: 9.5 AMPS
5. MINIMUM DISCONNECT: FOLLOW LOCAL CODE
6. MINIMUM FUSE SIZE: FOLLOW LOCAL CODE
7. CONTROL VOLTAGE: 24 VDC
8. MINIMUM WIRE SIZE: 14 GA.
9. PLUG: N/A



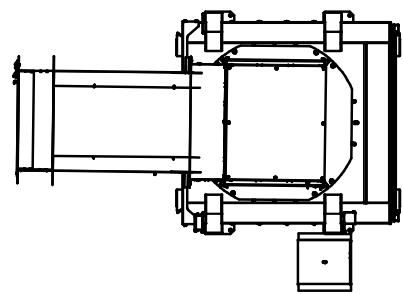
		704 Main Ave. North Harmony, MN 55939 U.S.A. Phone: 507-886-6666 Fax: 507-886-6706
TITLE VC100 W/6 YARD CONTAINER		
DWG NO	VC100-00-119652	REV 000
DRAWN BY: sscrabec	DATE DRAWN: 5/31/2018	1 OF 2
PRELIMINARY DRAWING ONLY		

**PROPRIETARY INFORMATION:** THIS DRAWING IS THE CONFIDENTIAL PROPERTY OF HARMONY ENTERPRISES, INC. AND TRANSMITTED IN CONFIDENCE. THE REPRODUCTION, USE OR DISCLOSURE, IN WHOLE OR IN PART, OF THE DESIGN OR DETAILS CONTAINED HEREIN IS PROHIBITED WITHOUT THE EXPRESS WRITTEN PERMISSION OF HARMONY ENTERPRISES, INC.

**ALL SPECIFICATIONS AND FIGURES ARE SUBJECT TO CHANGE WITHOUT NOTICE.**



COMPACTOR MAY BE ROTATED 360° IN 15° INCREMENTS AS REQUIRED PER LOCATION



**COMPACTOR SPECIFICATIONS**

1. 10.75" RAM PENETRATION
2. (2)3" X 23.00" STROKE CYLINDERS
3. 28,274# RAM FORCE @2000 PSI
4. 5.5 GPM HI/LOW PUMP

**STANDARD FEATURES**

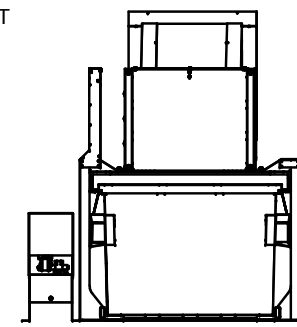
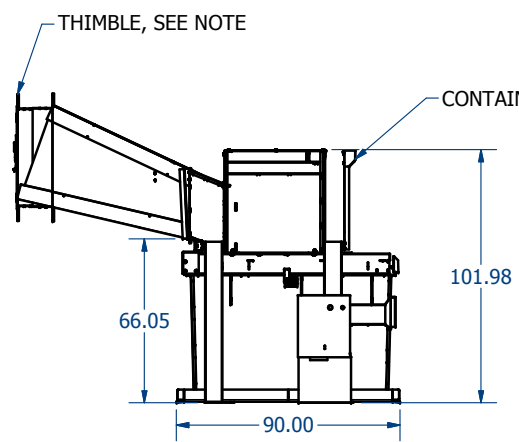
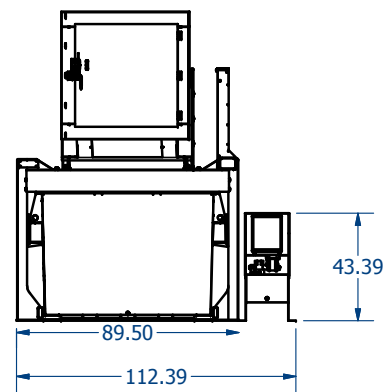
1. PLC CONTROLLED
2. OIL LEVEL SIGHT GAUGE
3. OIL PRESSURE GAUGE
4. 15 FOOT HYDRAULIC HOSES
5. 15 FOOT WHIP WITH REMOTE

**ELECTRICAL SPECIFICATIONS**

1. VOLTAGE: 208 VAC 3PH
2. MOTOR: 2 HP
3. MOTOR FLA: 7.5 AMPS
4. OPERATION @100%: 9.5 AMPS
5. MINIMUM DISCONNECT: FOLLOW LOCAL CODE
6. MINIMUM FUSE SIZE: FOLLOW LOCAL CODE
7. CONTROL VOLTAGE: 24 VDC
8. MINIMUM WIRE SIZE: 14 GA.
9. PLUG: N/A

**NOTES:**

1. CHUTE TO BE ASSEMBLED ON SIGHT.
2. 40" X 40" THIMBLE SHOWN IS SOLD SEPERATELY.



		704 Main Ave. North Harmony, MN 55939 U.S.A. Phone: 507-886-6666 Fax: 507-886-6706	
		TITLE VC100 CHUTE FED W/6 YARD CONTAINER	
DWG NO VC100-00-119727		REV 000	
DRAWN BY: sscrabeck	DATE DRAWN: 7/12/2018	2 OF 2	
PRELIMINARY DRAWING ONLY			