



M72HD

High Density Vertical Baler

The M72HD High Density Vertical Baler is the Ideal Solution For:

- Manufacturing Facilities
- Industrial Applications
- Recycling Centers
- Distribution Centers
- Retail Stores
- Big Box Stores

Built to be the strongest and most reliable baler on the market today.

Compare these features of the M72HD with the competition:

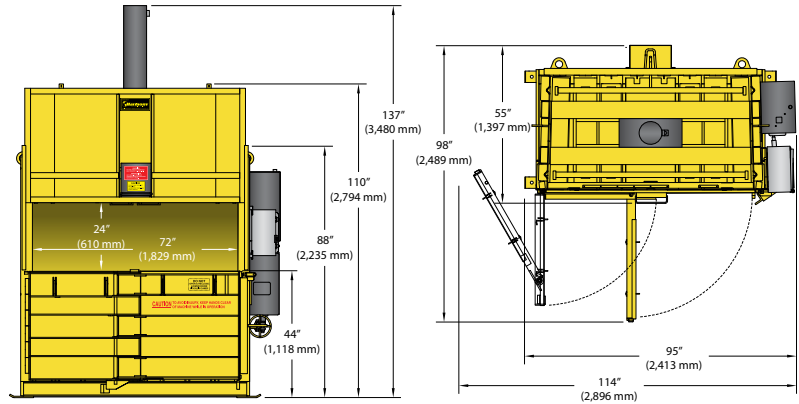
- Incredibly fast 29 second cycle time reduces your work time
- Large 72" x 40" x 40" charge chamber allowing you to bale over 2,000 pounds of cardboard per hour
- Massive 7" cylinder
- 20 horsepower heavy-duty motor

- Produces over **76,969** pounds of force resulting in **1,015** pound bales of cardboard
- Programmable Logic Controller (PLC) shuts down the baler if any unsafe conditions are detected

The M72HD High Density Vertical Baler, another great idea from Harmony Enterprises...
The Undisputed Leader in Quality Manufacturing.



M72HD High Density Vertical Baler



Standard M72HD Features:

- Control panel is UL® listed
- Can ship upright and be installed without ever requiring it to be tipped on it's side
- Two hand operation to protect employees
- All moving parts, including the ejector system, are totally enclosed
- Meets or exceeds all ANSI and OSHA requirements

SPECIFICATIONS

Bale Size	40" x 72" x up to 40" (1,016 mm x 1,829 mm x up to 1,016 mm)
Bale Weight (corrugated)	up to 1,015 lbs. (460 kg)
Ram Pressure	76,969 lbs. (34,913 kg)
Cycle Time	29 seconds
Cylinder	7" bore (178 mm) 4.5" rod (114 mm) 48" stroke (1,219 mm)
Motor	20 horsepower, TEFC
Pump	18 GPM
Electrical Power	208/230/460 volt, 3 phase, 60 hz
Bale Eject	Hydraulic/Chain
Bale Tying	Wire or banding

DIMENSIONS

Loading Door Opening	24" x 72" (610 mm x 1,829 mm)
Unloading Door Height	44" (1,118 mm)
Overall Height	137" (3,480 mm)
Overall Depth	55" (1,397 mm)
Overall Width	95" (2,413 mm)
Depth with Door Open	98" (2,489 mm)
Width with Door Open	114" (2,896 mm)
Shipping Height	88" (2,235 mm)
Shipping Weight	7,320 lbs. (3,320 kg)
Installation and Operating Area	80 square feet (7.4 square meters)

Specifications subject to change without notice.



SAI GLOBAL
ISO 9001
Quality

Harmony Enterprises, Inc. 704 Main Avenue North Harmony, MN 55939 USA
1.800.658.2320 toll free | 1.507.886.6666 international | 1.507.886.6706 fax
Email us at info@harmony1.com or visit us online at www.harmony1.com

©2009 Harmony Enterprises, Inc. All rights reserved. Form HEI_M72HD_US 12/15 SC