

SHOWN WITH 4 YARD
CONTAINER

COMPACTOR SPECIFICATIONS

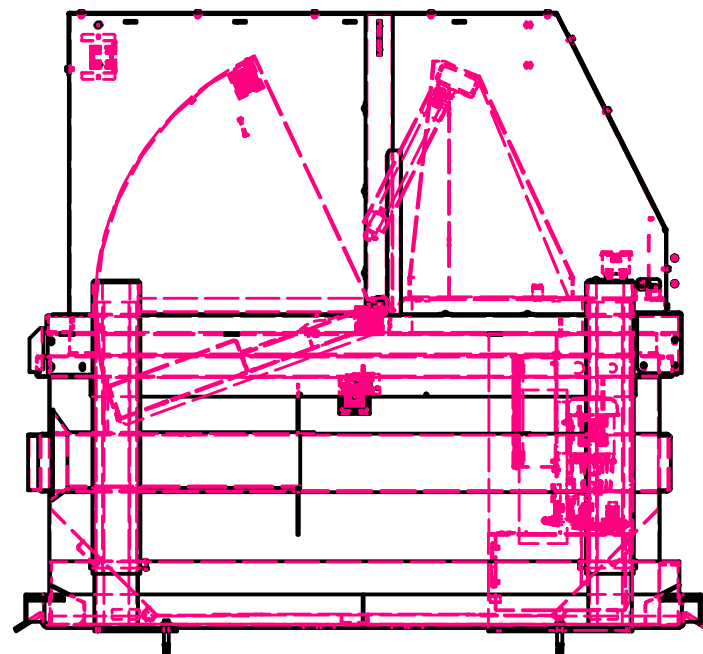
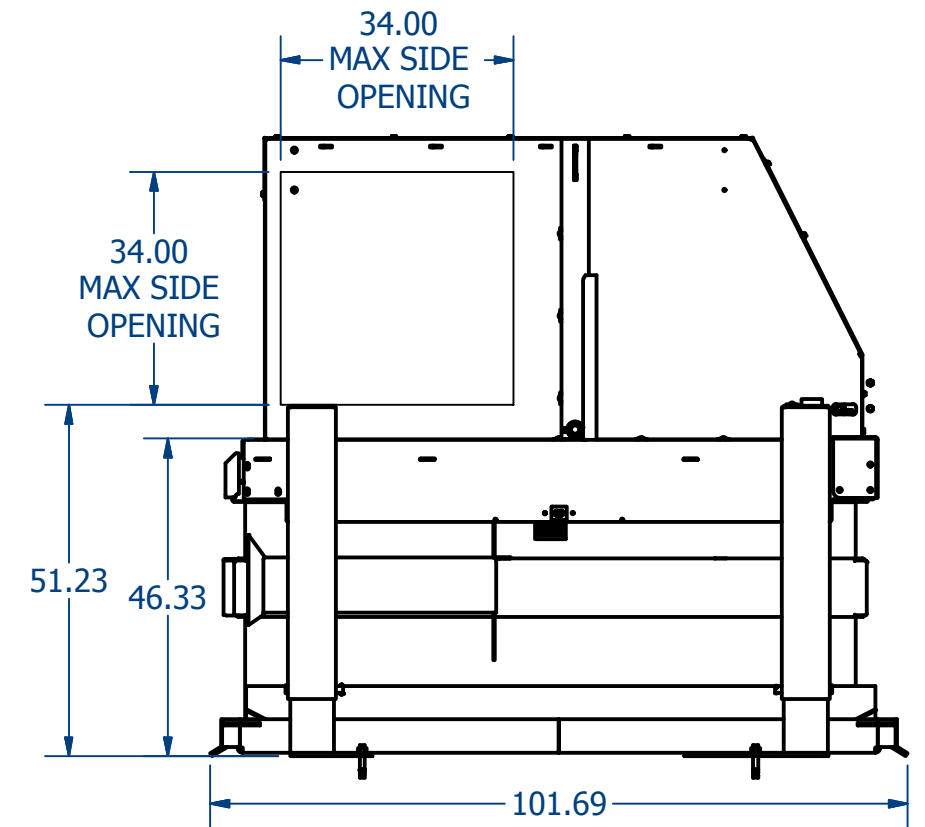
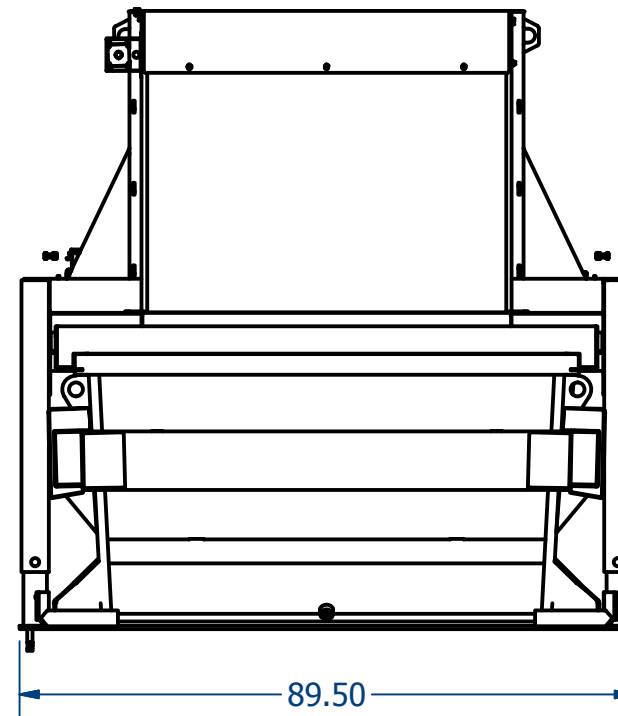
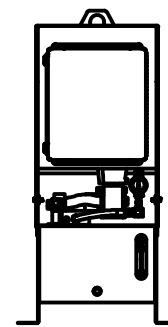
1. 12.88" RAM PENETRATION
2. 3" X 16.25" STROKE CYLINDERS
3. 14,130# RAM FORCE @2000 PSI
4. 5.5 GPM HI/LOW PUMP

STANDARD FEATURES

1. PLC CONTROLLED
2. OIL LEVEL SIGHT GAUGE
3. OIL PRESSURE GAUGE
4. 15 FOOT HYDRAULIC HOSES
5. 15 FOOT WHIP WITH REMOTE

ELECTRICAL SPECIFICATIONS

1. VOLTAGE: 208 VAC 3PH
2. MOTOR: 2 HP
3. MOTOR FLA: 7.5 AMPS
4. OPERATION @100%: 9.5 AMPS
5. MINIMUM DISCONNECT: FOLLOW LOCAL CODE
6. MINIMUM FUSE SIZE: FOLLOW LOCAL CODE
7. CONTROL VOLTAGE: 24 VDC
8. MINIMUM WIRE SIZE: 14 GA.
9. PLUG: N/A



DRAWN: SSCRABECK	5/28/2015
APPROVED: REC	5/19/2015



704 Main Ave. North
Harmony, MN 55939 U.S.A.
Phone: 507-886-6666
Fax: 507-886-6706

NOTES:
1. TOLERANCE TO BE ±.06, UNLESS OTHERWISE SPECIFIED.
2. ANGLES ±1°.
3. REMOVE ALL BURRS.
4. THE ORIGINAL IS IN ELECTRONIC FORMAT.

TITLE
ASSEMBLY, VC10 COMPACTOR WITH 4 YRD CONTAINER

SHEET 1 OF 1	WEIGHT: N/A	SIZE B	DWG NO VC10-00-115532	REV
--------------	----------------	-----------	--------------------------	-----