

# SYSTEM TEN-SIXTY

## T60XDRC Automatic Baling System



The T60XDRC Baling System  
is the Ideal Solution For:

- Commercial Recycling Centers
- Large Institutional Applications
- Warehouses
- Shopping Centers
- Scrap Yards
- Bottle/Can Redemption Centers
- Plastic Recycling

The T60XDRC has the rear  
conveyor system.

The T60XD provides the same  
automatic baler without the  
rear chute.



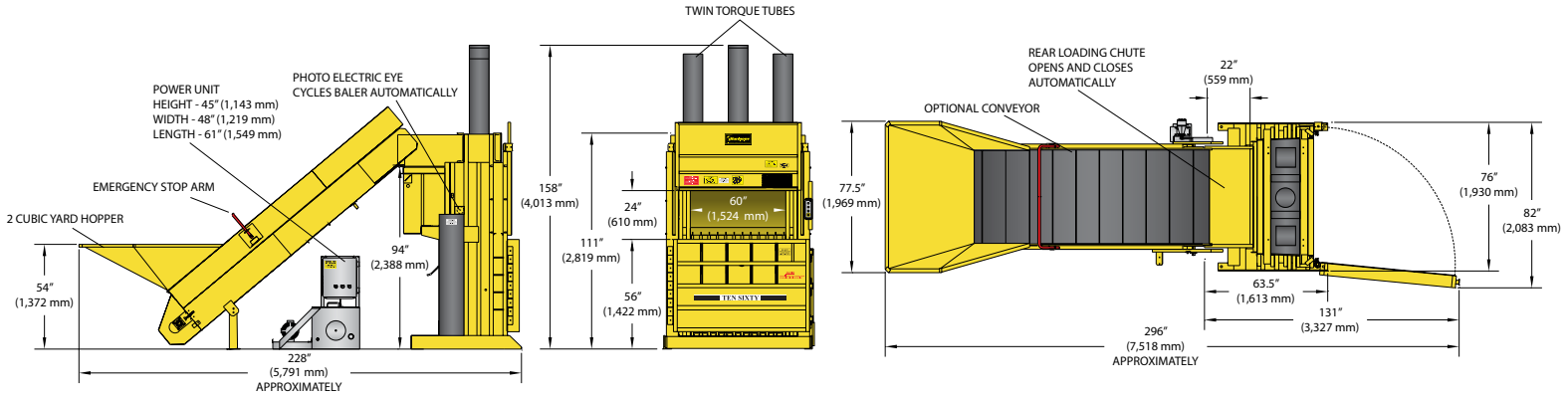
**Put the power of the System  
Ten-Sixty to work for you. It's the  
answer for high capacity, high  
profit solid waste recycling.**

Compare these features of the  
T60XDRC with the competition:

- 10" cylinder produces ultra dense bales reducing shipping and handling costs
- Fast 30 second cycle time for high production
- Rear feed with conveyer and manual front feed
- Cycles automatically during conveyer loading of material
- Eliminates the need for costly material preconditioning

- Saves space over costly horizontal balers needing only 190 square feet
  - Dual hydraulic bale ejectors will smoothly eject OCC bales weighing up to 1500 pounds
  - Automatic bale height shutoff with indicator light
  - Oil cooler standard
  - Available with in-ground or above-ground conveyor configuration
  - Meets or exceeds all ANSI and OSHA safety standards
- The T60XDRC Baling System,  
another great idea from Harmony  
Enterprises...*The Undisputed Leader  
in Quality Manufacturing.*

# T60XDRC Automatic Baling System



## Standard T60XDRC Features:

- Available without rear chute and conveyor (T60XD)
- Features a 10" bore hydraulic cylinder with twin torque tubes
- Standard retractable bale dogs
- Eight slots to band or tie-off bales
- 1,500 pound bales of OCC are ejected smoothly with the dual hydraulic ejectors
- Cycles automatically during conveyor loading of material
- Meets or exceeds all ANSI and OSHA safety standards

MODEL	T60XDRC
Bale Size	30" x 60" x up to 48" (762 mm x 1,524 mm x up to 1,219 mm)
Ram Pressure	235,620 lbs. (106,875 kg), 150 psi
System Pressure	3,000 psi
Cycle Time	30 seconds (no load)
Cylinder	10" bore (254 mm) 52" stroke (1,321 mm)
Motor	20 horsepower, 1,750 RPM, 3 phase
Oil Reservoir	100 gallons
Pump	Heavy-duty piston
Electrical Power	208/230/460 volt, 3 phase
Bale Eject	Dual hydraulic chain

## DIMENSIONS WITH CONVEYOR

Loading Door Opening	25" x 60" (635 mm x 1,524 mm)
Unloading Door Height	56.5" (1,435 mm)
Overall Height	158" (4,013 mm)
Overall Depth	228" (5,791 mm)
Overall Width	77" (1,956 mm)
Conveyor Belt Width	48" (1,219 mm)
Depth with Door Open	296" (7,518 mm)
Width with Door Open	121.5" (3,086 mm)
Shipping Height w/Cylinder and Platen Removed	77" (1,956 mm)
Actual Weight	19,000 lbs. (8,618 kg)
Required Operating Area	190 square feet (17.65 square meters)

Specifications subject to change without notice.



SAI GLOBAL  
ISO 9001  
Quality

Harmony Enterprises, Inc. 704 Main Avenue North Harmony, MN 55939 USA  
1.800.658.2320 toll free | 1.507.886.6666 international | 1.507.886.6706 fax  
Email us at [info@harmony1.com](mailto:info@harmony1.com) or visit us online at [www.harmony1.com](http://www.harmony1.com)

©2019 Harmony Enterprises, Inc. All rights reserved. Form HEI\_T60XDRC\_US 08/09 SC