

# T60XDRC Automatic Baling System



The T60XDRC Baling System  
is the Ideal Solution For:

- Commercial Recycling Centers
- Large Institutional Applications
- Warehouses
- Shopping Centers
- Scrap Yards
- Bottle/Can Redemption Centers
- Plastic Recycling

The T60XDRC has the rear  
conveyor system.

The T60XD provides the same  
automatic baler without the  
rear chute.

**See The Video At:**

<https://youtu.be/ZiIFhMO4NsI>

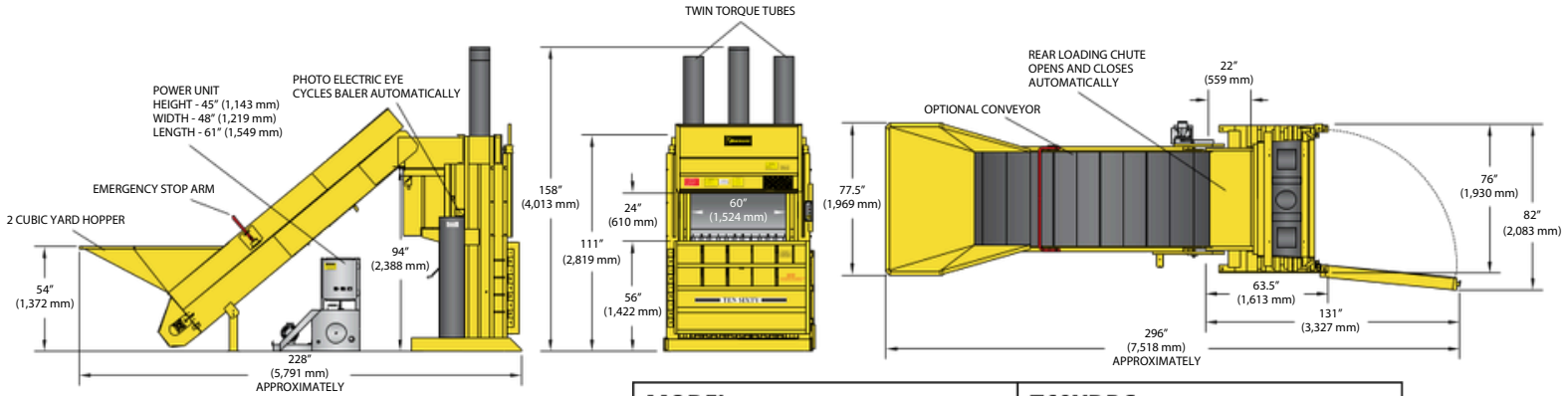


**Put the power of the System  
Ten-Sixty to work for you. It's the  
answer for high capacity, high  
profit solid waste recycling.**

Compare these features of the  
T60XDRC with the competition:

- 10" cylinder produces ultra dense bales reducing shipping and handling costs
- Fast 30 second cycle time for high production
- Rear feed with conveyer and manual front feed
- Cycles automatically during conveyor loading of material
- Eliminates the need for costly material preconditioning
- Saves space over costly horizontal balers needing only 190 square feet
- Dual hydraulic bale ejectors will smoothly eject OCC bales weighing up to 1500 pounds
- Automatic bale height shutoff with indicator light
- Oil cooler standard
- Available with in-ground or above-ground conveyor configuration
- Meets or exceeds all ANSI and OSHA safety standards
- Cylinder safety cable standard on all T60XDRC models.

# T60XDRC Automatic Baling System



## Estimated T60XDRC Bale Weights:

- Corrugated Cardboard: up to 1,500 lbs.
- Aluminum Cans: up to 1,000 lbs.
- PET Beverage Bottles: up to 1,260 lbs.
- HDPE: up to 1,330 lbs.
- Steel Cans: up to 2,260 lbs.
- Magazine/Newsprint: up to 1,600 lbs.
- Polystyrene: PENDING
- Tires: PENDING
- Clothing: up to 1,350 lbs.
- Milk Jugs: up to 1,675 lbs.
- Refuse Garbage: PENDING
- Aluminum Siding: PENDING



MODEL	T60XDRC
<b>Specifications</b>	
Bale Size	30" x 60" x Up to 48" (762 MM x 1,524 MM x 1,219 MM)
Bale Weight (OCC)	Up to 1,500 LBS. OCC (680 KG)
Ram Force	235,620 LBS. (106,875 KG)
Cycle Time	30 Seconds (No Load)
Electrical Power	208/230/460 Volt, 3 Phase
Motor	20 HP, 1,725 RPM, TEFC
Cylinder	10" Bore (254 MM) 6" Rod (152 MM) 52" Stroke (1,321 MM)
Oil Reservoir	100 Gallons
Pump	Heavy Duty Piston
Bale Eject	Dual Hydraulic Chain
Bale Tying	Banding or Wire
<b>Dimensions</b>	<b>With Conveyor</b>
Loading Door Opening	25" x 60" (635 MM x 1,524 MM)
Unloading Door Height	56.5" (1,435 MM)
Overall Height	158" (4,013 MM)
Overall Depth	228" (5,791 MM)
Overall Width With Door Open	121.5" (3,086 MM)
Depth With Door Open	296" (7,518 MM)
Shipping Height (Cylinder & Platen Removed)	77" (1,956 MM)
Actual Weight	19,000 lbs. (8,618 kg)
Operational Area	190 SQ FT (17.65 SQ M)

\*Specifications Subject to Change



704 Main Ave North, Harmony, MN 55939

(507) 886-6666

