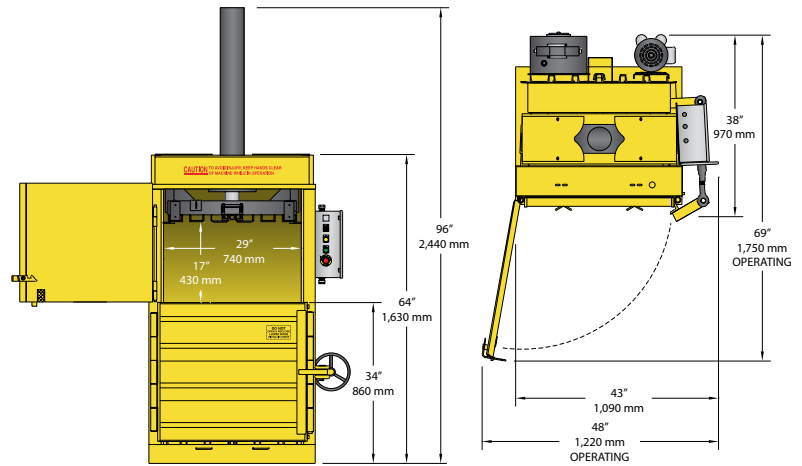




## M30HD Vertical Baler



by a lic t ap ect ystem

### Standard M30HD Features:

- Control panel is UL® listed
- Four slots for tying bales
- Easy to service and maintain
- Heavy-duty hydraulic ejection
- Turn buckle lock on bale door for safety and opening ease
- Optional 16" x 19" chute door
- Meets or exceeds all ANSI and OSHA safety standards

### SPECIFICATIONS

Bale Size	24" x 30" x up to 30" (610 mm x 762 mm x up to 762 mm)
Bale Weight (corrugated)	up to 240 lbs. (109 kg)
Ram Pressure	41,350 lbs. max (18,756 kg)
Cycle Time	37 seconds
Cylinder	4.5" bore (114 mm) 3" rod (76 mm) 33" stroke (838 mm)
Motor	2 horsepower, 1,725 RPM, TEFC
Pump	Two-stage
Electrical Power	115/230 volt, 1 phase, 60 hz
Bale Eject	Hydraulic
Bale Tying	Strapping or polyethylene twine

### DIMENSIONS

Loading Door Opening	17" x 29" (432 mm x 737 mm)
Unloading Door Height	34" (864 mm)
Overall Height	96" (2,438 mm)
Overall Depth	38" (965 mm)
Overall Width	43" (1,092 mm)
Depth with Door Open	69" (1,753 mm)
Width with Door Open	48" (1,219 mm)
Shipping Height	under 80" (2,032 mm)
Shipping Weight	1,475 lbs. (669 kg)
Installation and Operating Area	23 square feet (2.14 square meters)

Specifications subject to change without notice.



SAI GLOBAL  
ISO 9001  
Quality

Harmony Enterprises, Inc. 704 Main Avenue North Harmony, MN 55939 USA  
 1.800.658.2320 toll free | 1.507.886.6666 international | 1.507.886.6706 fax  
 Email us at [info@harmony1.com](mailto:info@harmony1.com) or visit us online at [www.harmony1.com](http://www.harmony1.com)

©2019 Harmony Enterprises, Inc. All rights reserved. Form HEI\_M30HD\_US 08/09 SC