



M42BC

Vertical Stockroom Baler

The M42BC Vertical Stockroom Baler is the Ideal Solution For:

- Convenience Stores
- Office Developments
- Hotels/Motels
- Hospitals/Nursing Homes
- Restaurants
- Department Stores
- Drug Stores

When you need a common sense answer to your daily waste problem, you need the M42BC Stockroom Baler.

Compare these features of the M42BC with the competition:

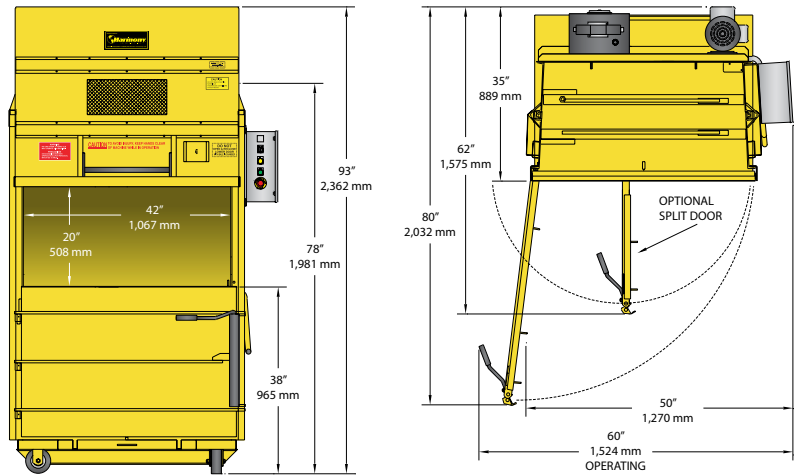
- Small size with incredible strength and durability
- Will handle a variety of materials in the harshest of environments
- Fast 12 second cycle time
- Powerful 4" cylinder with heavy-duty 1½" rod for long life
- Energy efficient motor for low operation costs and long life

- Enclosed counterbalance for upper door lifting ease
- Standard non-locking casters
- The M42BC can be rolled through a 3' X 7' doorway for easy installation

The M42BC Vertical Stockroom Baler, another great idea from Harmony Enterprises...
The Undisputed Leader in Quality Manufacturing.



M42BC Vertical Stockroom Baler



Standard M42BC Features:

- Control panel is UL® listed
- Four slots for tying bales
- Easy to service and maintain
- Meets or exceeds all ANSI and OSHA safety standards

SPECIFICATIONS

| | |
|--------------------------|---|
| Bale Size | 22" x 42" x up to 30" (559 mm x 1,067 mm x up to 762 mm) |
| Bale Weight (corrugated) | up to 180 lbs. (82 kg) |
| Ram Pressure | 25,134 lbs. max (11,401 kg) |
| Cycle Time | 11 seconds |
| Cylinder | 4" bore (102 mm) 1.5" rod (38 mm) 10" stroke (254 mm) |
| Motor | 2 horsepower, 1,725 RPM, TEFC |
| Pump | Two-stage |
| Electrical Power | 115/230 volt, 1 phase, 60 hz |
| Bale Eject | Manual lever |
| Bale Tying | Strapping or polyethylene twine |

DIMENSIONS

| | |
|---------------------------------|--------------------------------------|
| Loading Door Opening | 20" x 42" (508 mm x 1,067 mm) |
| Unloading Door Height | 38" (965 mm) |
| Overall Height | 93" (2,362 mm) |
| Overall Depth | 35" (889 mm) |
| Overall Width | 50" (1,270 mm) |
| Depth with Door Open | 80" (2,032 mm) |
| Width with Door Open | 60" (1,524 mm) |
| Shipping Height | 78" (1,981 mm) |
| Shipping Weight | 1,475 lbs. (669 kg) |
| Installation and Operating Area | 33.3 square feet (3.1 square meters) |

Specifications subject to change without notice.



Harmony Enterprises, Inc. 704 Main Avenue North Harmony, MN 55939 USA
 1.800.658.2320 toll free | 1.507.886.6666 international | 1.507.886.6706 fax
 Email us at info@harmony1.com or visit us online at www.harmony1.com

©2009 Harmony Enterprises, Inc. All rights reserved. Form HEI_M42BC_US 08/09 SC