

SmartPack

Automatic Trash Compactor

- Save 75% on trash related tasks
- Save 30% on existing trash liner usage
- 11:1 compaction ratio
- One compacted bag of trash from a SmartPack replaces 10-12 regular 25 gallon bags of trash

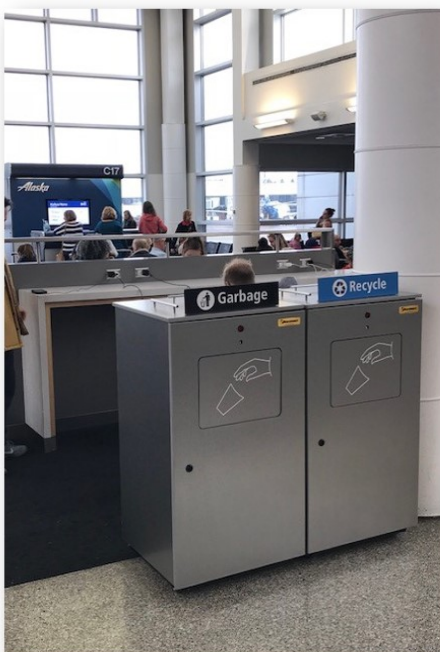


Similar in size and appearance to traditional waste bins, but at least 10 times more effective for managing waste!

The SmartPack Automatic Trash Compactor Ideal For:

See The Video At:

https://youtu.be/odXd_bC0Roo



Compare these features of the SmartPack with the Competition:

- "No Touch" Automatic Loading Door
- Quiet 10 Second Cycle Time
- "No Rust" Stainless Steel Chamber
- LED Light Showing Ready for Use, In Use, & Full
- Light, Medium, and Heavy Cube Weight Selector Switch
- Adjustable Photo-eye Sensor To Detect Approaching Patrons
- Adjustable Number Of Door Openings Required To Trigger A Compaction Cycle
- Wheeled Waste Cube With Convenient Pull Strap
- Optional Food Tray Storage Rack
- Variety Of Styles & Colors To Match Any Décor
- Front "Swivel" Casters for Easy Manueverability

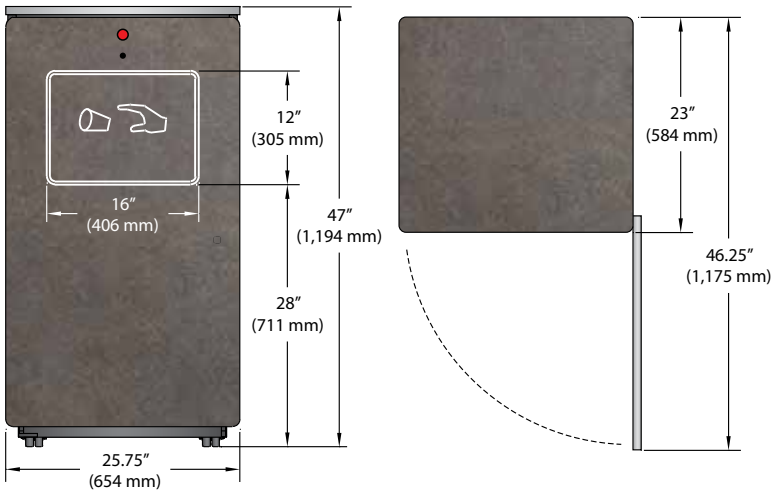
- Airports
- Restaurants
- Shopping Malls
- Casinos
- Museums
- Amusement Parks
- Sports Venues
- Universities
- Hospitals



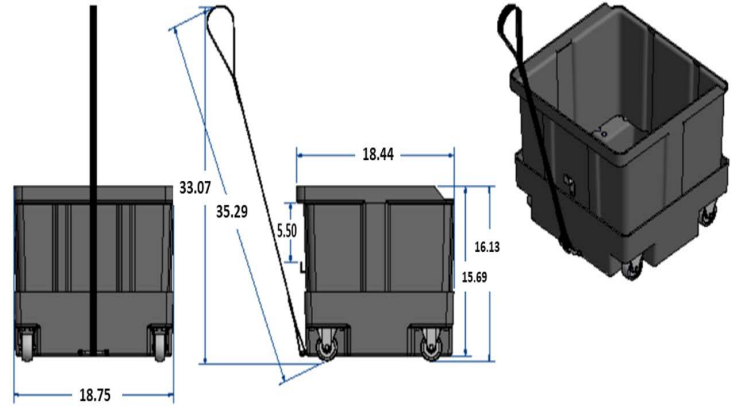
www.harmony1.com

Solutions For Waste Handling and Recycling

SmartPack Automatic Trash Compactor



Portable Wheeled Waste Cube



**Make things easier with Insite
Wireless Monitoring:**



Insite is invisible technology in the SmartPack that sends alert emails and SMS texts when the unit needs to be emptied or serviced. This creates extra time for your staff to do other important work and saves on trash related accessories!

Learn more at <https://harmony1.com/insite-wireless-monitoring/>

SPECIFICATIONS

| | |
|-------------------|--|
| Exterior | Variety of metal, fiberglass, and laminates to match any decor. |
| Interior | Stainless Steel Chamber Area |
| Operating Voltage | 115 volt, 60 hz |
| Motor | 1/2 horsepower |
| Inside Container | Durable plastic 2-pc wheeled waste cube with convenient pull strap |
| Cycle Time | Quiet 10 second cycle time |
| Noise Level | Very quiet operation (60 decibels) |
| Wheels | Heavy-duty recessed casters |

DIMENSIONS

| | |
|---------------------------|--|
| Overall Height | 47" (1,194 mm) |
| Overall Depth | 23" (584 mm) |
| Overall Width | 25.75" (654 mm) |
| Weight | Approximately 450 lbs. (204 kg) |
| Weight of Compacted Waste | User controlled (ranges from 40-100 lbs.) (18-45 kg) Optional lift cart |
| Cube Capacity | 3.3 cubic feet (94 liters); cubes/cubic yard: Approximately 8 per cycle |
| Required Floor Space | Approximately 4 square feet (.37 square meters) |

Specifications subject to change without notice.



Harmony Enterprises, Inc. 704 Main Avenue North Harmony, MN 55939 USA
1.800.658.2320 toll free | 1.507.886.6666 international | 1.507.886.6706 fax
Email us at sales@harmony1.com or visit us online at www.harmony1.com

**SmartPacks can be purchased through
Harmony Enterprises,
or rented through
Harmony Equipment Rental!
Contact Us today at 507-886-6666 or
sales@harmony1.com**