

Introducing a revolutionary new compaction system from

**Harmony**  <sup>TM</sup>  
ENTERPRISES, INC.

**ROTOPACK**  
Electronic Information Kit

## **RotoPack is a unique compaction system brought to you exclusively from Harmony Enterprises.**

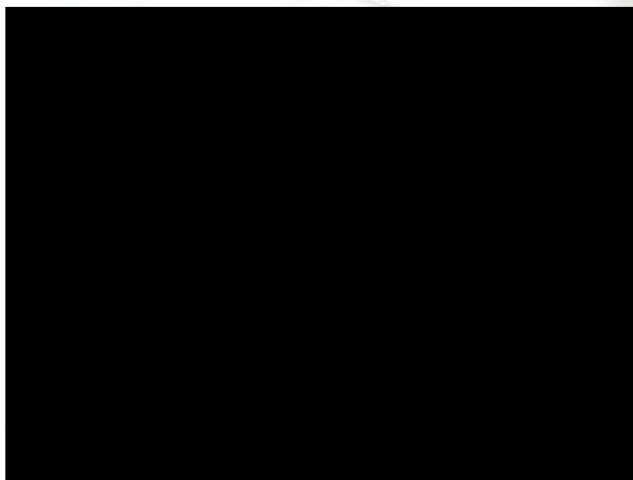
The Stationary RotoPack from Harmony Enterprises shreds, crushes and compacts bulky waste materials to a quarter of the original size. This means 4 times more space for your waste!

How does it work? The RotoPack's unique motorized roller is suspended from its crane arm. It is lowered into the waste container and that's when the compaction begins. RotoPack's heavy duty shark tooth roller uses a 10 horsepower motor to crush and shred waste materials such as packing cases, pallets, wood, glass and plastic. Your waste containers will hold more and you will be emptying them less often.

The RotoPack is available three ways: stationary, mobile and traversing.

### **View our Demonstrational Video**

\* *Video requires Adobe Acrobat 6.0 or Later.  
Click here to download.*



# When you use RotoPack, the average compaction ratio is 4:1.

Container Size (Cubic Yards)	Type of (Recyclable) Waste	With Mobile RotoPack (lbs)	Without Mobile RotoPack (lbs)
40	Cardboard	17,640	3,750
40	Pallets	20,060	5,070
40	Wooden Crates for Fruit	20,060	8,380
40	Wooden Crates	22,050	4,410
40	Bulky Refuse	13,230	3,090
40	Paper	25,130	9,260
40	Drums (5-55 gal.)	18,740	6,170
40	Household Waste	13,890	4,410
40	Refrigerators	26,460	5,950
40	Cans	22,710	7,500
40	Furniture	16,310	5,070

*You'll reduce waste and save thousands in storage and removal costs!*

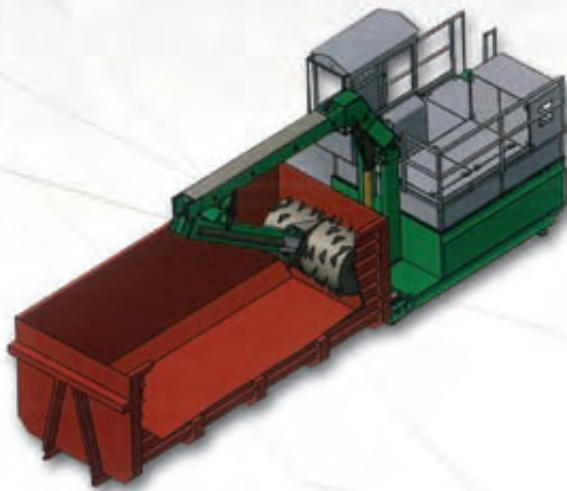
**The benefits of RotoPack are numerous. It's a great way to reduce your waste and save on removal costs, with an average compaction ratio of 4:1, it reduces bulky waste to a quarter of its original size.**

- Compaction ratio of 4:1
- Crushes, shreds, and compacts waste
- Compact waste so containers are 100% full before being emptied.
- When you use RotoPack, a 40 cubic yard container will hold over 11,000 lbs more bulky waste than if you didn't use RotoPack.
- Very easy to operate; with just the push of a button the automatic compaction begins.
- Weighs 2,600 pounds and requires 23 feet of overhead space.
- Also available in Traversing or Mobile units.

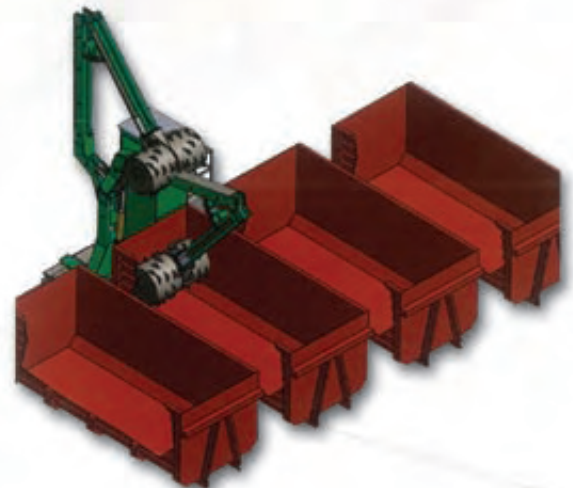
## Technical Specifications (Stationary RotoPack)

Required Headroom	267.75" (6800mm)
Roller Travel Limit	259.75" (6600mm)
Overall Space Required Container Length	72.75" (1200mm)
Maximum Container Width	103.5" (2630mm)
Distance Between Forklift Pockets	44.5" (1150mm)
Roller Width	67" (1700mm)
Roller Diameter	45.25" (1150mm)
Roller Weight	1.18 Tons (1.2 Tonnes)
Total Weight	3.21 Tons (3.26 Tonnes)
Motor Size	10HP
Power Supply	32 Amps
Minimum Level of Waste	19.75" (500mm)

At Harmony Enterprises we have a compaction system for all your needs. Take a look at the Traversing RotoPack and the Mobile RotoPack.



The Mobile RotoPack is unrestricted by tracks or power supplies. It is powered by a water-cooled diesel engine. With unlimited mobility, the Mobile RotoPack is ideal for working on various site layouts or on sites where 3 phase power is unavailable. It's simple to operate and the driver sits up high in the cab for easy maneuvering and over-seeing the compacting.



The Traversing RotoPack operates on track lengths up to 196 feet. As it travels on the tracks it compacts a multitude of materials in multiple containers. Operators sit comfortably inside the cab as they travel up and down the tracks compacting waste materials.



Thanks for your interest in RotoPack. If you have any questions or would like more information about the stationary, mobile, or transversing RotoPack, please contact us.



704 Main Ave. North  
Harmony, MN 55939 USA  
[harmony1.com](http://harmony1.com) + [info@harmony1.com](mailto:info@harmony1.com)  
(TF) 1.800.658.2320  
(INTL) 1.507.886.6666  
(FX) 1.507.886.6706