



# M72HD

## High Density Vertical Baler

The M72HD High Density Vertical Baler is the Ideal Solution For:

- Manufacturing Facilities
- Industrial Applications
- Recycling Centers
- Distribution Centers
- Retail Stores
- Big Box Stores

**Built to be the strongest and most reliable baler on the market today.**

Compare these features of the M72HD with the competition:

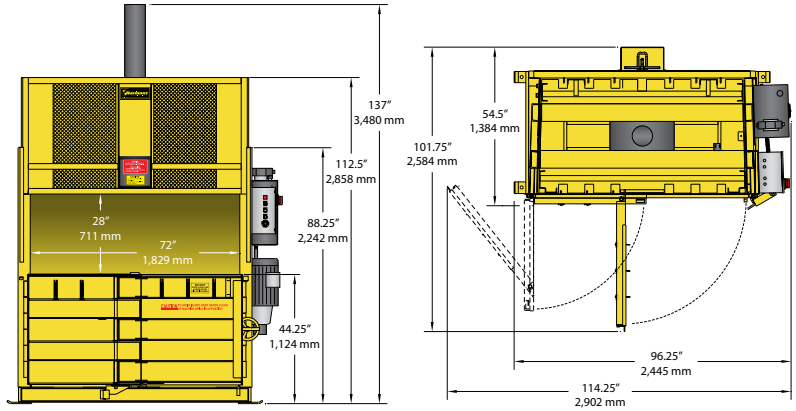
- Incredibly fast 28 second cycle time reduces your work time
- Large 72" x 40" x 40" charge chamber allowing you to bale over 2,000 pounds of cardboard per hour
- Massive 7" cylinder
- 20 horsepower heavy-duty motor

- Produces over 92,360 pounds of force resulting in 1,300 pound bales of cardboard
- Programmable Logic Controller (PLC) shuts down the baler if any unsafe conditions are detected

The M72HD High Density Vertical Baler, another great idea from Harmony Enterprises...  
*The Undisputed Leader in Quality Manufacturing.*



## M72HD High Density Vertical Baler



### Standard M72HD Features:

- Control panel is UL® listed
- Can ship upright and be installed without ever requiring it to be tipped on it's side
- Two hand operation to protect employees
- All moving parts, including the ejector system, are totally enclosed
- Meets or exceeds all ANSI and OSHA requirements

### SPECIFICATIONS

Bale Size	40" x 72" x up to 40" (1,016 mm x 1,829 mm x up to 1,016 mm)
Bale Weight (corrugated)	up to 1,300 lbs. (590 kg)
Ram Pressure	92,360 lbs. (41,894 kg)
Cycle Time	29 seconds
Cylinder	7" bore (178 mm) 4.5" rod (114 mm) 48" stroke (1,219 mm)
Motor	20 horsepower, TEFC
Pump	16 gallon
Electrical Power	208/230/460 volt, 3 phase, 60 hz
Bale Eject	Hydraulic/Chain
Bale Tying	Wire or banding

### DIMENSIONS

Loading Door Opening	28" x 72" (711 mm x 1,829 mm)
Unloading Door Height	44.25" (1,124 mm)
Overall Height	137" (3,480 mm)
Overall Depth	54.5" (1,384 mm)
Overall Width	96.25" (2,445 mm)
Depth with Door Open	101.75" (2,584 mm)
Width with Door Open	114.25" (2,902 mm)
Shipping Height	88.25" (2,242 mm)
Shipping Weight	7,320 lbs. (3,320 kg)
Installation and Operating Area	80 square feet (7.4 square meters)

Specifications subject to change without notice.



Harmony Enterprises, Inc. 704 Main Avenue North Harmony, MN 55939 USA  
 1.800.658.2320 toll free | 1.507.886.6666 international | 1.507.886.6706 fax  
 Email us at [info@harmony1.com](mailto:info@harmony1.com) or visit us online at [www.harmony1.com](http://www.harmony1.com)

©2009 Harmony Enterprises, Inc. All rights reserved. Form HEI\_M72HD\_US 09/09 SC